



## BW-612 Bore Welder



### • Applications

---

- Logging
- Mining
- Construction
- Marine
- Pulp and Paper
- Manufacturing Industries
- Crushers
- Excavators – Stick, Boom Mount, Lift Cylinder Mount
- Gears and Gear Boxes
- Loaders, Buckets
- Motor Housings and Shafts
- Pumps
- Turbines
- Custom Designed Applications

### • Product Description

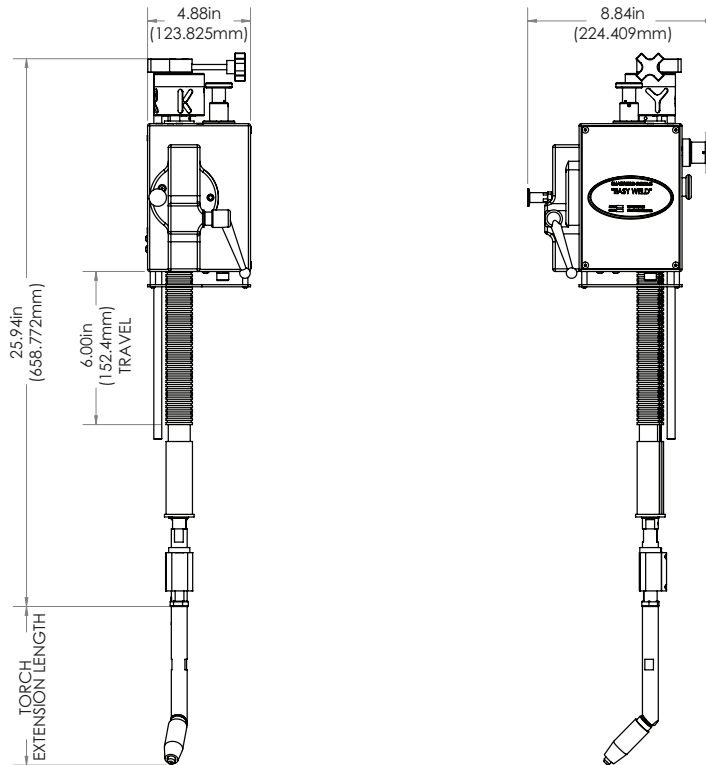
---

The BW-612 is an entry level Bore Welder with an adjustable step feature that allows control of the weld bead placement. Compatible with most wire feeder/power supply combinations. The simple remote control adjusts torch rotation speed and turns the wire feeder on and off. The BW-612 easily adjusts to suit the parameters that are best for the application. Made from highly conductive, corrosion & arc resistant alloys. Compared to hand welding the BW-612 can weld up to 75% faster, create a consistent weld with less distortion and expose the user to less fumes and smoke.

### • Advantages

---

- Adjustment of torch rotation speed
- Sets up on boring bar alignment plates
- Works with most competitors boring bar set ups
- Available attachment to perform facing 90 degrees to the bore
- All electrical connections made through one cable
- Welds bores too small for hand welding
- Easily weld bores difficult to reach
- 200 amp continuous duty
- Consumables available from local welding suppliers



<b>Welding Process</b>	Mig/Gmaw
<b>Standard Bore Range</b>	1.5 to 12in (38 – 304mm)
<b>Standard Weld Stroke</b>	6in standard (152mm)
<b>Optional Weld Stroke</b>	12in (304mm)
<b>Max. Weld Current</b>	200 Amp
<b>Step Size</b>	Adjustable - Factory set to 1/8in (3mm)
<b>Welding Wire Size</b>	.030 - .035in (.76 – .889mm)
<b>Standard Extensions</b>	2, 3, 6, 12, 15in (50, 76, 152, 304, 381mm)
<b>Optional Torch Assemblies</b>	1.5 – 7in (38 – 177mm)
<b>Optional Assembly Extension</b>	7 – 30in (177 – 762mm)
<b>Operation Modes</b>	Precision Step Process Circular OD with attachment
<b>Remote Control Pendant</b>	Included
<b>Welding Power Recommended</b>	CV type
<b>Wire Feeder Required</b>	Burn back control
<b>Recommended</b>	4 Drive Rolls
<b>Power Supply Requirements</b>	120 Volt, 50/60 Hz 230 Volt, 50/60 Hz
<b>Welder weights with pendant</b>	BW-612-6in 16 lbs (7.25 kg) BW-612-12in 17 lb (7.7 kg)
<b>Dimensions BW-612-6in</b>	21 ¼ X 8 X 5in (54 X 20.3 X 12.7cm)
<b>BW-612-12in</b>	26 ¾ X 8 X 5in (68 X 20.3 X 12.7cm)
<b>Pelican Case</b>	Included

