



4-14 ET Line Boring Machine



• Applications

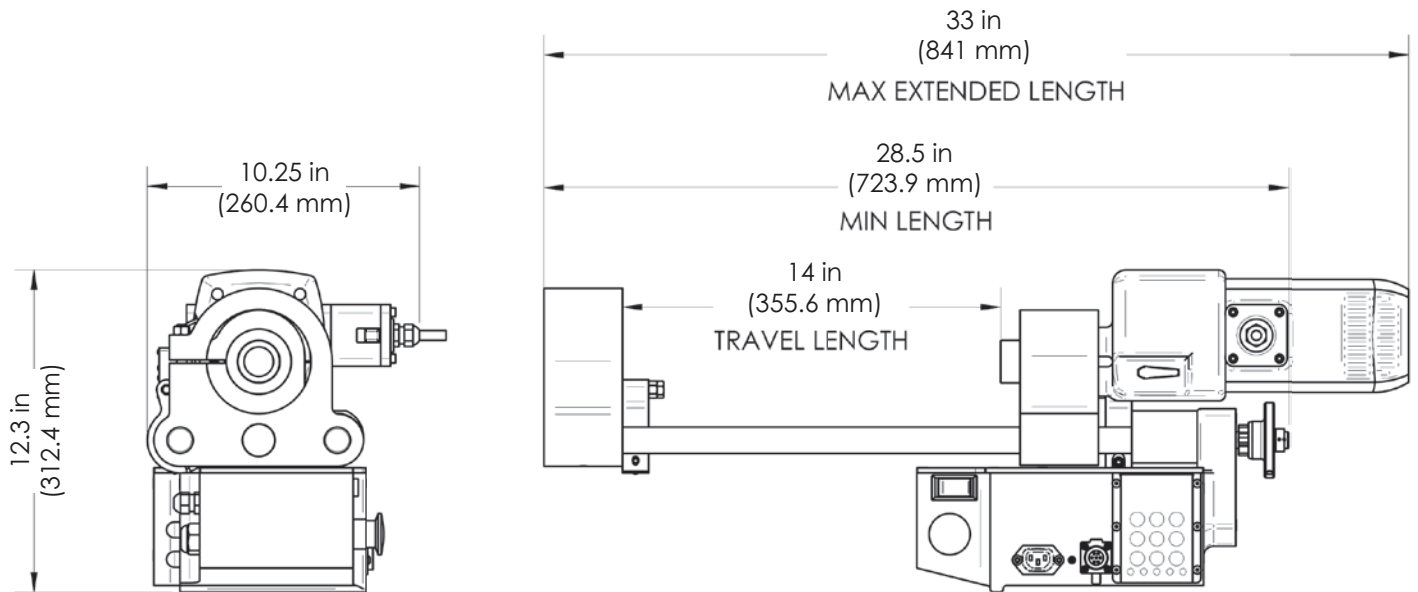
- Logging
- Mining
- Construction
- Marine
- Pulp
- Paper
- Manufacturing Industries
- Crushers
- Excavators
- Gears and Gear Boxes
- Loaders, Buckets
- Motor Housings
- Pumps
- Turbines

• Product Description

The 4-14 ET (electric touch) portable line boring machine is our finest yet—proven dependable and extremely powerful. Shown below with the Fein 4-speed reversible bar drive motor, this combination makes the 4-14 ET extremely portable. A unique feature is the variable speed feed system with rapid traverse. This feed system provides 14 inches (358 mm) of cutting tool travel. Our control panel adds ease to the operation. Reduce your heavy equipment down time with the 4-14 ET portable line-boring machine.

• Advantages

- Line bore vertically or horizontally
- Portable - Powerful - Flexible - Easy to use
- Hydraulic: Three powerful variable speed motors to choose from
- Electric: 4 speed boring bar drive, faster speeds for better results 100/150/260/420 rpm
- Variable feed speeds, 14 inches (358 mm) tool travel with rapid traverse, automatic feed with optional remote control
- Line boring from 1.5-16 inches (38.1-406.4 mm) with our electric drives or up to 24 inches (609.6 mm) with our hydraulic bar drive
- Calibration wrench available to accurately adjust the cutting tool
- Digital touch pad, LED Indicator
- Lighting, Optional Remote
- Factory trained dealer representatives provide demo's and training for line boring & bore welding
- Universal mount for line boring and bore welding – allowing you to set up ahead while you work
- Available in 110 or 240V 50/60 Hz



4-14ET FULL FUNCTION ELECTRIC FEED CARRIAGE	
Cutting Tool Travel	14 in (358 mm)
Feed Speeds	0 – 2.5 in per minute (64 mm per minute)
Feed Torque	200 in-lbs. (22.6 Nm)
Rapid Traverse	9 in per minute (228 mm per minute)
Weight	61 lbs (27.6 kg)
MANUAL FEED CARRIAGE	
Cutting Tool Travel	14 in (358 mm)
Manual Feed Carriage Weight	36 lbs (16.3 kg)
Upgradeable to full function	
ELECTRIC BAR DRIVE – FEIN 4 SPEED	
Bore Diameters	1.5 to 16 in (up to 24 in w/hydraulic) 38.1 to 406.4 mm (up to 609.6 mm w/hydraulic)
Power Options	110 or 240 V 50/60 Hz 110 V – 9.6 amps 1.2 hp (900 W) 35 ft-lbs torque 47.46 Nm
4-Speed Reversible Bar Drive Motor Weight	22 lbs (10 kg)
HYDRAULIC BAR DRIVES – ELECTRONIC (HBD-E) & MANUAL (HBD-M) TO BE USED WITH 5HP HYDRAULIC POWER UNITS	
Reversible Hydrostatic Drive	
Variable Rotational Bar Drive Motors	100 rpm, 183.5 ft-lb torque (249 Nm) 160 rpm, 145.9 ft-lb torque (198 Nm) 290 rpm, 73.6 ft-lb torque (100 Nm)
Bar rotation lock valve mounted on bar drive	
Hydraulic Bar Drive Motor Weight	26 lb (12 kg)

