



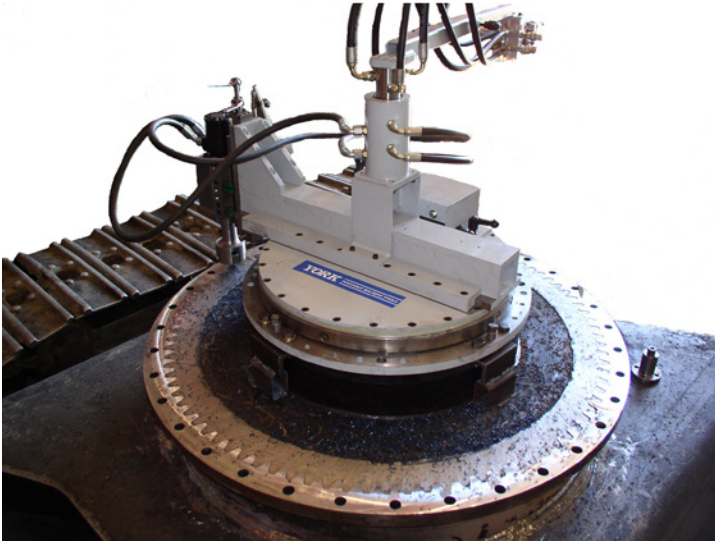
## Rotary Mill RMM-66



### • Applications

---

- Logging
- Mining
- Construction
- Excavators - Slewing Ring Bearings
- Power generation facilities
- Petro chemical plants
- Ship building
- Maintenance facilities



### • Product Description

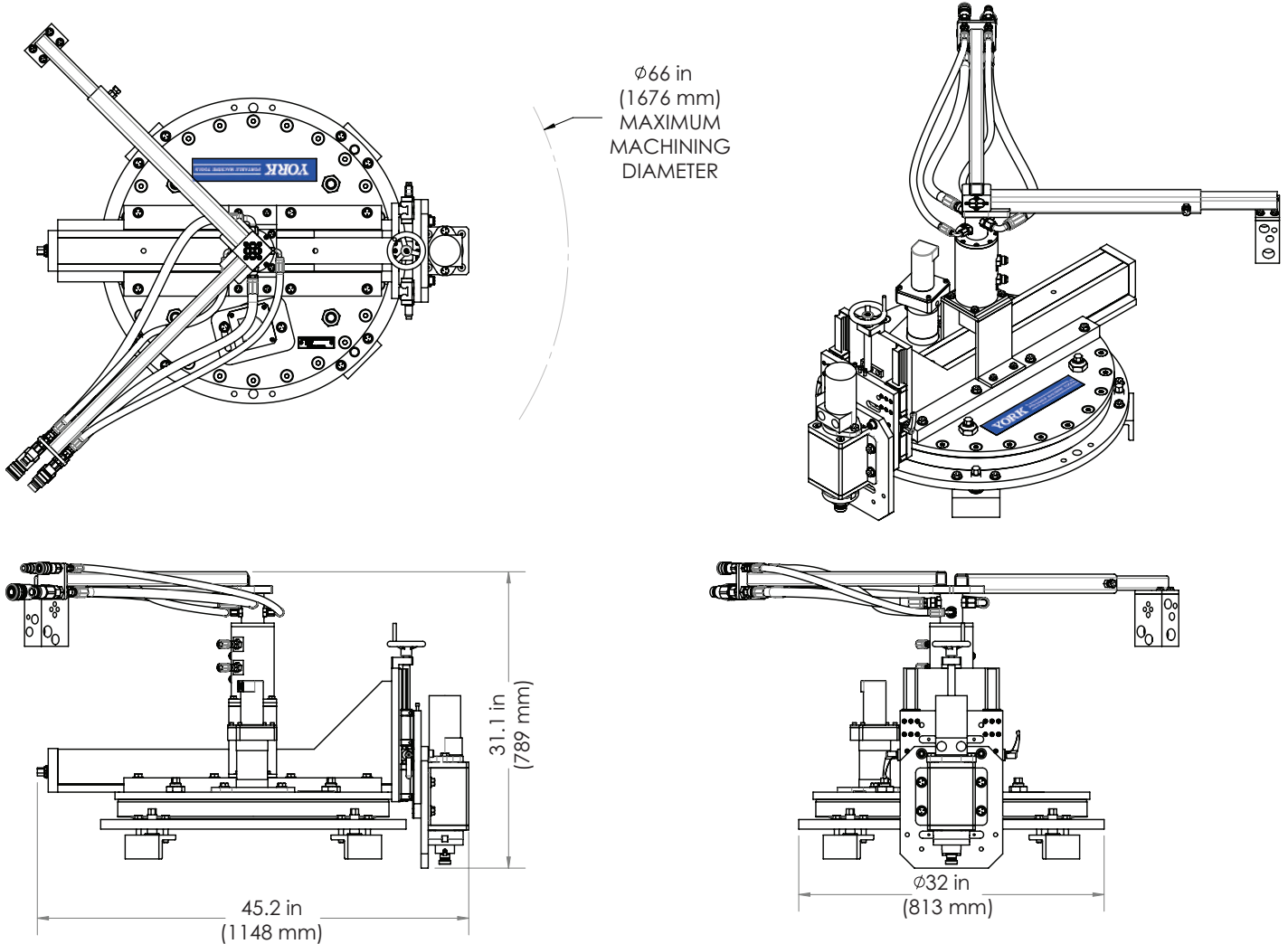
---

The Rotary Milling Machine was built for local industry but has been an international success completing a wide variety of jobs in the field. Standard sizes are 32-66 inches (812.8-1676.4 mm). Custom sizes can be built to the user's specifications; prices will be quoted after sizes have been determined. The York 10 HP Hydraulic Power Supply offers full-speed control for forward and reverse feeds. While in-use, spindle rpm speeds for forward and reverse can be adjusted should machining conditions change. One motor is all you need over the full operating range.

### • Advantages

---

- Reduction of Heavy Equipment Downtime
- Ideal for Onsite Machining
- Quick and Easy Set-up
- Can be attached to run upside down.



<b>Max Milling Diameter</b>	66 in (1676.4 mm) + Face Mill Radius
<b>Weight</b>	800 lbs (364 kg)
<b>Z-Travel</b>	4 in (101.6 mm) Manual
<b>Power</b>	10 hp Hydraulic
<b>Max Spindle Speed</b>	430 rpm
<b>Spindle</b>	Direct Facemill Attachment
<b>Rotary Power Feed</b>	Customizable
<b>Radial Feed</b>	Manual

